

TRE 0701  
TRE 0702  
TRE 0801



**IT** Motore - MANUALE DI ISTRUZIONI

ATTENZIONE: prima di usare la macchina, leggere attentamente il presente libretto.

**CS** Motoru - NÁVOD K POUŽITÍ

UPOZORNĚNÍ: před použitím stroje si pozorně přečtěte tento návod k použití.

**DA** Motor - BRUGSANVISNING

ADVARSEL: læs instruktionsbogen omhyggeligt igennem, før du tager denne maskine i brug.

**DE** Motor - GEBRAUCHSANWEISUNG

ACHTUNG: vor inbetriebnahme des geräts die gebrauchsanleitung aufmerksam lesen.

**EL** κινητήρα - ΟΔΗΓΙΕΣ ΧΡΗΣΗΣ

ΠΡΟΣΟΧΗ: πριν χρησιμοποιήσετε το μηχάνημα, διαβάστε προσεκτικά το παρόν εγχειρίδιο.

**EN** Engine - OPERATOR'S MANUAL

WARNING: read thoroughly the instruction booklet before using the machine.

**ES** Motor - MANUAL DE INSTRUCCIONES

ATENCIÓN: antes de utilizar la máquina, leer atentamente el presente manual.

**FI** Moottorin - KÄYTTÖOHJEET

VAROITUS: lue käyttöopas huolellisesti ennen koneen käyttöä.

**FR** Moteur - MANUEL D'UTILISATION

ATTENTION: lire attentivement le manuel avant d'utiliser cette machine.

**HR** Motora - PRIRUČNIK ZA UPORABU

POZOR: prije uporabe stroja, pažljivo pročitajte ovaj priručnik.

**HU** Motor - HASZNÁLATI UTASÍTÁS

FIGYELEM! a gép használatá előtt olvassa el figyelmesen a jelen kézikönyvet.

**MK** Моторот - УПАТСТВА ЗА УПОТРЕБА

ВНИМАНИЕ: прочитайте го внимателно ова упатство пред да ја користите машината.

**NL** Motor - GEBRUIKERSHANDLEIDING

LET OP: vooraleer de machine te gebruiken, dient men deze handleiding aandachtig te lezen.

**NO** Motoren - INSTRUKSJONSBOK

ADVARSEL: les denne bruksanvisningen nøye før du bruker maskinen.

**PL** Silnika - INSTRUKCJE OBSŁUGI

OSTRZEŻENIE: przed użyciem maszyny, należy uważnie przeczytać niniejszą instrukcję.

**PT** Motor - MANUAL DE INSTRUÇÕES

ATENÇÃO: antes de usar a máquina, leia atentamente o presente manual.

**RU** двигателя - РУКОВОДСТВО ПО ЭКСПЛУАТАЦИИ

ВНИМАНИЕ: прежде чем пользоваться оборудованием, внимательно прочтите это руководство по эксплуатации.

**SL** Motorja - PRIROČNIK ZA UPORABO

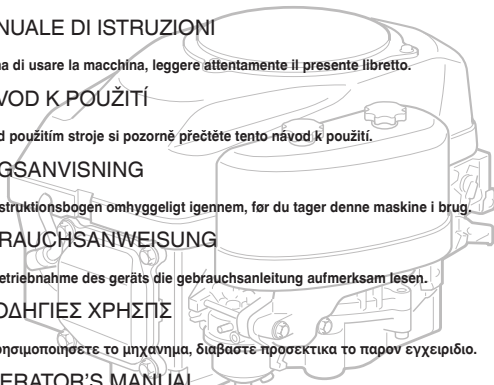
POZOR: preden uporabite stroj, pazljivo preberite priročnik z navodili.

**SV** Motor - BRUKSANVISNING

VARNING: läs igenom hela detta häfte innan du använder maskinen.

**TR** Motor - KULLANIM KILAVUZU

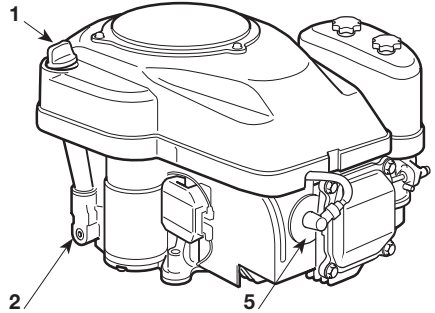
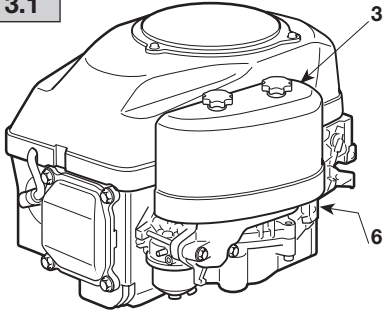
DİKKAT: makineyi kullanmadan önce talimatlar içeren kilavuzu dikkatle okuyun.



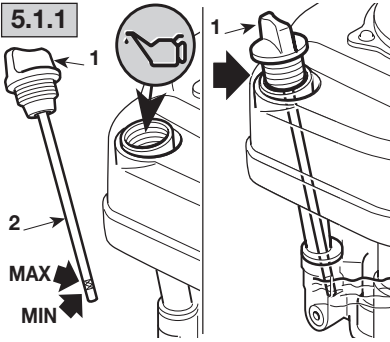


ITALIANO - Istruzioni Originali .....	<b>IT</b>
ČESKY - Překlad původního návodu k používání .....	<b>CS</b>
DANSK - Oversættelse af den originale brugsanvisning .....	<b>DA</b>
DEUTSCH - Übersetzung der Originalbetriebsanleitung .....	<b>DE</b>
ENGLISH - Translation of the original instruction .....	<b>EN</b>
ΕΛΛΗΝΙΚΑ - Μετάφραση των πρωτοτυπων οδηγιων .....	<b>EL</b>
ESPAÑOL - Traducción del Manual Original .....	<b>ES</b>
SUOMI - Alkuperäisten ohjeiden käännös .....	<b>FI</b>
FRANÇAIS - Traduction de la notice originale .....	<b>FR</b>
HRVATSKI - Prijevod originalnih uputa .....	<b>HR</b>
MAGYAR - Eredeti használati utasítás fordítása .....	<b>HU</b>
МАКЕДОНСКИ - Превод на оригиналните упатства .....	<b>MK</b>
NEDERLANDS - Vertaling van de oorspronkelijke gebruiksaanwijzing .....	<b>NL</b>
NORSK - Oversettelse av den originale bruksanvisningen .....	<b>NO</b>
POLSKI - Tłumaczenie instrukcji oryginalnej .....	<b>PL</b>
PORTUGUÊS - Tradução do manual original .....	<b>PT</b>
РУССКИЙ - Перевод оригинальных инструкций .....	<b>RU</b>
SLOVENŠČINA - Prevod izvirnih navodil .....	<b>SL</b>
SVENSKA - Översättning av bruksanvisning i original .....	<b>SV</b>
TÜRKÇE - Orijinal Talimatların Tercümesi .....	<b>TR</b>

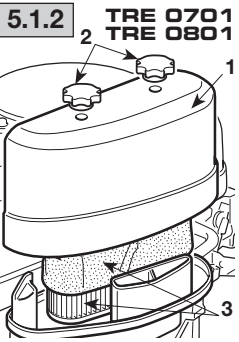
**3.1**



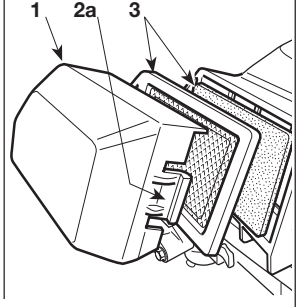
**5.1.1**



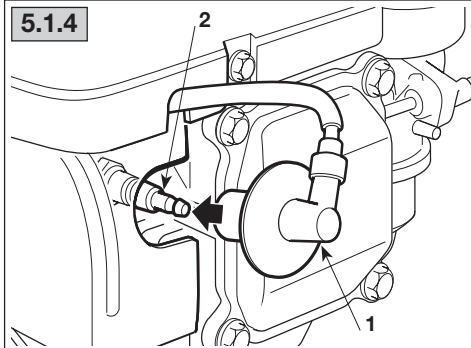
**5.1.2**



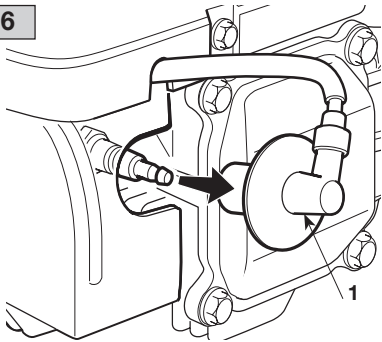
**TRE 0702**



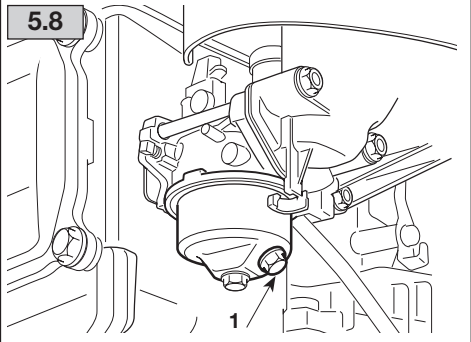
**5.1.4**

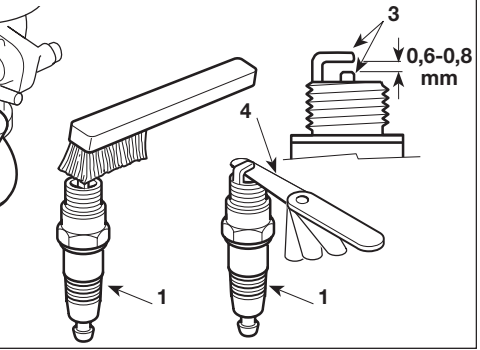
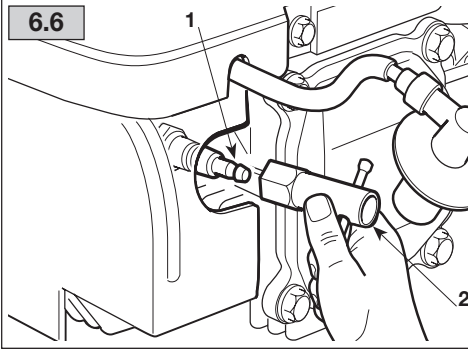
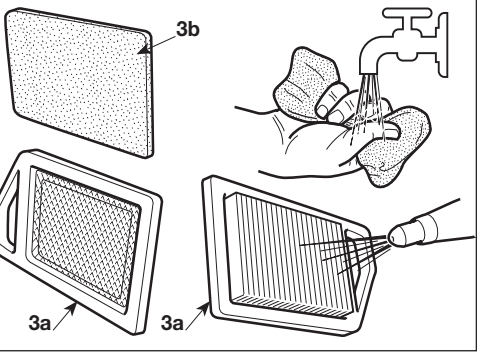
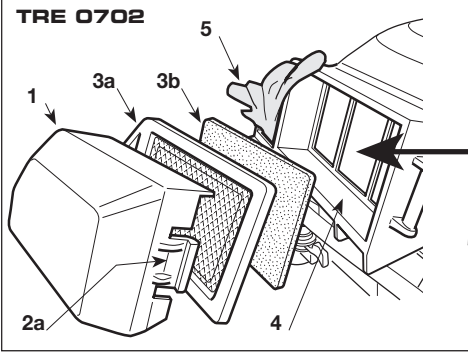
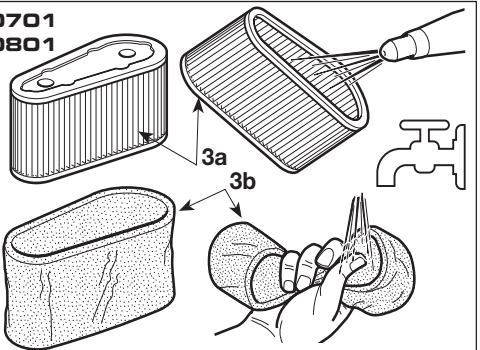
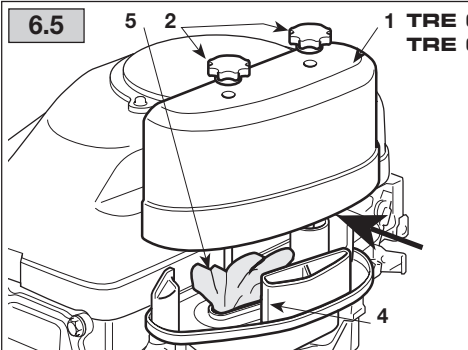
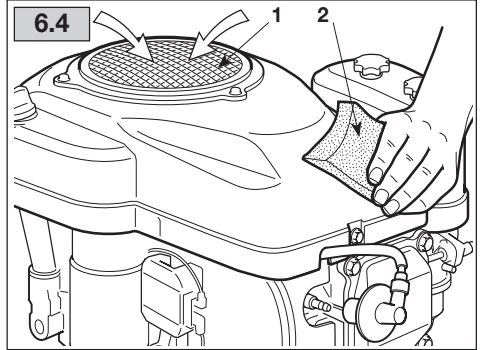
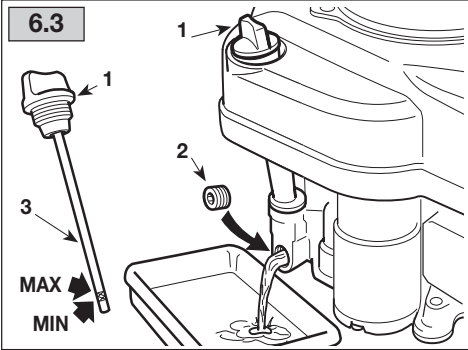


**5.6**



**5.8**





## TABLE OF CONTENTS

1. General information .....	1
2. Safety regulations .....	1
3. Components and controls .....	2
4. What you need to know .....	3
5. Standards of use .....	4
6. Maintenance .....	5
7. Troubleshooting .....	7
8. Technical data .....	7

## 1. GENERAL INFORMATION

### 1.1 READING AND UNDERSTANDING THE MANUAL

Some paragraphs in the manual containing information of particular importance for safety and operation are highlighted at various levels of emphasis, and signify the following:

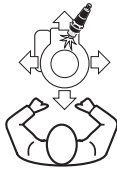
#### NOTE or IMPORTANT

*These give details or further information on what has already been said, and aim to prevent damage either to the engine or other damages.*

**⚠ WARNING!** *Non-observance will result in the risk of injury to oneself or others.*

**⚠ DANGER!** *Non-observance will result in the risk of serious injury or death to oneself or others.*

**NOTE** *All indications, "front", "rear", "right" and "left", are to be taken as referring to the engine positioned with the spark plug facing forwards with respect to the observer.*



The number before the paragraph title refers to the text references and their related figures (shown inside front and back covers).

### 1.2 SAFETY SYMBOLS

Your engine should be used with due care and attention. Symbols have therefore been placed on the engine to remind you of the main precautions to be taken. Their full meaning is explained later on.

You are also asked to carefully read the safety regulations in the applicable chapter of this handbook.



**Warning!** - Read and follow Operating Instructions before running engine.



**Warning!** - Gasoline is flammable. Allow engine to cool at least 2 minutes before refuelling.



**Warning!** - Engines emit carbon monoxide. DO NOT run in enclosed area.

## 2. GENERAL SAFETY STANDARDS

*(to be strictly applied)*

### A) TRAINING

- 1) Carefully read the instructions contained in this manual and the instructions of the machine on which this engine is installed. Learn how to stop the engine quickly.
- 2) Never allow people unfamiliar with these instructions to use the engine.
- 3) Never use the engine while people, especially children, or pets are nearby.
- 4) Remember that the operator or user is responsible for accidents or hazards occurring to other people or their property.

### B) PREPARATION

- 1) Do not wear loose-fitting clothing, dangling drawstrings, jewels or items that could become caught; tie up long hair and keep at safe distance while starting the lawnmower.
- 2) Switch off the engine and let it cool down before removing the fuel tank cap.
- 3) **WARNING: DANGER!** Ethanol is highly inflammable.
  - store the fuel in suitable containers;
  - add fuel, using a funnel, only outdoors; do not smoke during this operation and each time fuel is handled;
  - add fuel before starting the engine. Never remove the fuel tank cap or add fuel while the engine is running or when the engine

*is hot;*

- *if you have spilled some fuel, do not attempt to start the engine but move the machine away from the area of spillage and avoid creating any source of ignition until the fuel has evaporated and fuel vapours have dissipated.*
  - *always put the fuel tank and container caps back on and tighten well.*
- 4) *Replace faulty silencers and the guard, if damaged.*

### C) OPERATION

- 1) *Do not operate the engine in a confined space where dangerous carbon monoxide fumes can collect.*
- 2) *Do not use starting fluids or similar products.*
- 3) *Do not change the engine governor settings or overspeed the engine.*
- 4) *Do not tilt the machine onto its side to the point where fuel leaks from the fuel tank cap.*
- 5) *Do not touch the cylinder fins and/or the silencer guard until the engine has cooled down.*
- 6) *Stop the engine and disconnect the spark plug cable before checking, cleaning or servicing the machine or the engine.*
- 7) *Do not crank the engine with spark plug removed.*
- 8) *Transport the machine with an empty fuel tank.*

### D) MAINTENANCE AND STORAGE

- 1) *A routine maintenance is essential for safety and for keeping a high performance level.*
- 2) *Do not store the machine with fuel in the tank in an area where the fuel vapors could reach an open flame, a spark or a strong heat source.*
- 3) *Allow the engine to cool before storing in any enclosure.*
- 4) *To reduce fire hazards, keep the engine, exhaust silencer and fuel storage area free of grass, leaves, or excessive grease.*
- 5) *If the fuel tank has to be emptied, this should be done outdoors once the engine has cooled down.*
- 6) *On safety ground, never use the engine with either worn or damaged parts. Parts are to be replaced and not repaired. Use genuine spare parts. Parts that are not of the same quality can damage the engine and impair your safety.*

### E) EMISSIONS

*The combustion process generates toxic substances such as carbon monoxide, nitrogen oxides and hydrocarbons.*

*It is important to control these substances because they can react with photochemical smog as well as with direct exposure to sunlight.*

*Carbon monoxide does not react in the same way to exposure to sunlight but it must still be considered toxic.*

*Our machines are equipped with emission reduction systems for the substances mentioned above.*

## 3. COMPONENTS AND CONTROLS

### 3.1 ENGINE COMPONENTS

1. Oil filler cap with dipstick
2. Oil drain plug
3. Air cleaner cover
4. Spark plug cap
5. Engine code



Note your engine serial number here

### 3.2 ACCELERATOR CONTROL

The throttle trigger (generally a lever), fitted to the machine, is connected to the engine by a cable.

Consult the machine's Instructions Manual to identify the throttle trigger and its positions, usually marked by symbols, corresponding to:



**CHOKE** = to be used for starting from cold.



**FAST** = corresponds to maximum revs; to be used when working.



**SLOW** = corresponds to minimum revs.

## 4. WHAT YOU NEED TO KNOW

The engine performance, reliability and life are influenced by many factors, some external and some strictly associated with the quality of the products used and with the scheduled maintenance.

The following information allow a better understanding and use of your engine.

### 4.1 ENVIRONMENTAL CONDITIONS

The operation of a four-stroke endothermic engine is affected by:

#### a) Temperature:

- Working in low temperatures could lead to a difficult cold starting.
- When operating at very high temperatures, a warm start could prove difficult due to evaporation of fuel in the float chamber of the carburetor or in the pump.
- In any case, the right kind of oil must be used, according to the operating temperatures.

#### b) Altitude:

- The higher the altitude (above sea level), the lower the max power developed by an endothermic engine.
- When there is a considerable increase in altitude, the load on the machine should be reduced and particularly heavy work avoided.

### 4.2 FUEL

A good quality fuel is the major issue for the engine reliability of operation.

Fuel must meet these requirements:

- a) Use clean, fresh unleaded gasoline, with a minimum of 90 octane.
- b) Do not use fuel formulated with ethanol greater than 10%.
- c) Do not add oil.
- d) To protect the fuel system from gum formation, mix a fuel stabilizer into the fuel.

Use of unapproved fuels will cause damage to engine components, which will not be covered under warranty.

### 4.3 OIL

Use always high quality oils, choosing their viscosity grade according to the operating temperature.

- a) Only use SF-SG quality classified detergent oil.
- b) Choose the SAE viscosity grade of oil from this chart:

- from 5 to 35 °C = SAE 30
- from -15 to +35 °C = 10W-30  
(Multi-viscosity)

- c) The use of multi-viscosity oils in hot temperatures will result in higher than normal oil consumption; therefore, check oil level more frequently.
- d) Do not mix oils of different brands and features.
- e) SAE 30 oil, if used below +5°C, could result in possible engine damage due to inadequate lubrication.
- f) Oil should be at «MAX» mark (see 5.1.1): do not overfill. Overfilling with oil may cause:
  - Smoking;
  - Spark plug or air filter fouling, which will cause hard starting.

### 4.4 AIR FILTER

The air filter must always be in perfect working order, to prevent debris and dust from getting sucked into the engine, reducing the efficiency and life of the machine.

- a) Always keep the filtering element free of debris and in perfect working order (see 6.5).
- b) If necessary, replace the filtering element with an original spare part. Incompatible filtering elements can impair the efficiency and life of the engine.
- c) Never start the engine without mounting the filtering element properly.

### 4.5 SPARK PLUG

Not all the spark plugs for endothermic engines are the same!

- a) Use only spark plugs of the recommended type, with the right heat range.
- b) Check the length of the thread, because – if too long – it will damage the engine beyond repair.
- c) Make sure that the electrodes are clean and their gap is correct (see 6.6).



## 5. STANDARDS OF USE

### 5.1 BEFORE EVERY USE

Before every use, perform the following checking procedures in order to assure a regular operation.

#### 5.1.1 Check oil level

See the specific chapter (8.1) for the oil to be used.

- Place engine level.
- Clean around oil fill.
- Unscrew the cap (1), clean the end of the dipstick (2) and replace it, resting the cap on the filler, as seen in the illustration, without tightening it.
- Remove the cap with the dipstick and check the oil level that must be between the «MIN» and «MAX» marks.
- If oil is required, add oil of the same kind up to the «MAX» mark, being careful not to spill any outside the oil fill.
- Fully tighten the filler cap (1) and wipe off any spilled oil.

#### 5.1.2 Check air cleaner

The efficiency of the air filter is fundamental for the engine to work properly. Do not start the engine if the filtering element is missing or broken.

- Clean around the filter cover (1).
- Remove the cover (1) by unscrewing the two knobs (2 - TRE0701 - TRE0801), or by pressing the tabs (2a - TRE0702).
- Check the condition of the filtering element (3). It must be intact, clean and in perfect working order; if not, either carry out maintenance or replace it (see 6.5).
- Put the cover (1) back.

#### 5.1.3 Refuelling

##### IMPORTANT

*Do not drip fuel onto the plastic parts of the motor or the machine to prevent damaging them and remove all traces of spilt fuel immediately. The warranty does not cover damage to plastic parts caused by fuel.*

The fuel characteristics are given in the specific paragraph (see 4.2 and 8.1).

Refuelling must be made when the engine is cold, following the instructions contained in the machine's Instructions Manual.

#### 5.1.4 Spark plug cap

Firmly connect the cable cap (1) to the spark plug (2), making sure that there are no traces of dirt inside the cap and on the spark plug terminal.

### 5.2 STARTING THE ENGINE (cold)

The engine must be started in the way described in the machine's Instruction Manual, always making sure that any device (if present) that could cause the machine to advance or the engine to stop is disengaged.

- Move the throttle to «CHOKE».
- Turn the starter key as described in the machine's instruction manual.

After a few seconds, slowly move the throttle from «CHOKE» to either «FAST» or «SLOW».

### 5.3 STARTING THE ENGINE (hot starting)

- Follow the whole cold-starting procedure with throttle control in «FAST» position.

### 5.4 USE OF THE ENGINE IN OPERATION

Maximum revs must be used to optimise the engine's yield and performance, by setting the throttle trigger to «FAST».

#### WARNING!

*Keep your hands away from the silencer and surrounding areas that can become extremely hot. With the engine running, do not get loose-fitting clothing (ties, scarves, etc.) or hair closer to the top part of the engine.*

#### IMPORTANT

*Do not operate on over 20° inclines to prevent malfunctioning of the engine.*

### 5.5 STOPPING THE ENGINE DURING MOWING

- Move the throttle to «SLOW».
- Allow the engine to run at minimum speed for at least 15-20 seconds.
- Stop the engine following the instructions contained in the machine's Instructions Manual.

### 5.6 STOPPING THE ENGINE AFTER MOWING

- Move the throttle to «SLOW».
- Allow the engine to run at minimum speed for at least 15-20 seconds.
- Stop the engine following the instructions contained in the machine's Instructions Manual.
- When the engine is cold, disconnect the spark plug (1) and remove the starter key (if present).
- Remove any debris from the engine and especially around the exhaust silencer to reduce the risk of fire.

### 5.7 CLEANING AND STORAGE

- Do not spray with water or use hydraulic lances to clean the exterior of the engine.

- b) Use a compressed air gun (max. 6 bars) for preference, thus preventing debris and dust from penetrating inside.
- c) Store the lawnmower (and the engine) in a dry place, sheltered from severe weather conditions and sufficiently ventilated.

### 5.8 LONG STORAGE (over 30 days)

In case the engine has to be stored for a long time (for example at the end of the season), a few precautions are needed to help the future start-up.

- a) To prevent the formation of deposits inside the tank, empty it of fuel by unscrewing the carburettor float chamber plug (1) and collecting all the fuel in a suitable container. At the end of the operation remember to screw the plug (1) back on and fully tighten it.
- b) Remove the spark plug and pour about 3 cl of clean engine oil into the spark plug hole, then, having blocked the hole with a rag, run the starter motor briefly to turn the engine for a few revs and distribute the oil over the inner surface of the cylinder. Finally replace the spark plug without connecting the cable cap.

## 6. MAINTENANCE

**⚠ WARNING!** *Any attempt to tamper with the emission control system may increase emission levels above legal limits. This definition includes the removal or alteration of parts such as the intake system, the fuel system and the exhaust system.*

### 6.1 SAFETY RECOMMENDATIONS

**⚠ WARNING!** *Remove the spark plug cap and read instructions before carrying out any cleaning, repair or maintenance operation. Wear proper clothing and working gloves whenever your hands are at risk. Do not perform maintenance or repair operations without the necessary tools and technical knowledge.*

**IMPORTANT** *Never get rid of used oil, fuel or other pollutants in unauthorised places.*

### 6.2 MAINTENANCE SCHEDULE

Follow the hourly or calendar – whichever occur first – maintenance schedule shown in the following table.

**IMPORTANT** *It is the responsibility of the owner to perform the machine maintenance operations described in the table below.*

**IMPORTANT** *Clean more frequently when operating in particularly demanding conditions*

*or when there is debris in the air.*

**NOTE** *Filters should be cleaned / replaced more often if the machine is used on very dusty ground.*

Operation	After First 5 hours	Every 5 hours or daily	Every 50 hours or every season	Every 100 hours
Check oil level (see 5.1.1)	-	✓	-	-
Change oil <sup>1)</sup> (see 6.3)	✓	-	✓	-
Clean silencer and engine (see 6.4)	-	✓	-	-
Air filter cleaning <sup>2)</sup> and check (see 6.5)	-	✓	-	-
Air filter replacement (see 6.5)	-	-	✓	-
Check spark plug (see 6.6)	-	-	✓	-
Replace spark plug (see 6.6)	-	-	-	✓
Fuel filter check <sup>3)</sup>	-	-	-	✓

<sup>1)</sup> Change oil every 25 hours if the engine is operating under heavy load or in ht weather.

<sup>2)</sup> Clean air cleaner more frequently if the machine is operating in dusty areas.

<sup>3)</sup> To be carried out by a specialized Centre.

### 6.3 CHANGE OIL

See the specific chapter (8.1) for the oil to be used.

**⚠ WARNING!** *Drain oil while the engine is warm, being careful not to touch the hot engine nor the drained oil.*

Unless otherwise stated in this machine Instruction Manual, to drain the oil it is necessary to:

- a) Place the machine on a flat surface.
- b) Clean the area around the filler cap and unscrew the cap with dipstick (1).
- c) Provide a suitable container for collecting the oil and unscrew the drain plug (2).
- d) Refit the drain plug (2) and fully tighten it having made sure that the gasket is in the right position.
- e) Fill up with fresh oil (see 5.1.1).
- f) Check that the oil level has reached the

«MAX» notch on the dipstick (3).

- g)** Close the cap (1) again and clean up any traces of oil that was possibly spilt.

**IMPORTANT**

*The engine holds a maximum of 1.2 litres of oil. Topup gradually adding small amounts of oil at a time; check that the oil level never exceeds the «MAX» notch on the dipstick.*

**6.4 CLEAN SILENCER AND ENGINE**

Silencer must be cleaned when the engine is cold.

- a)** Use a jet of compressed air to remove any debris and dirt that could cause a fire from the silencer and its protective cover.  
**b)** Make sure that the cooling air intakes (1) are not blocked.  
**c)** Clean the plastic components with a sponge (2) soaked in water and detergent.

**6.5 AIR FILTER MAINTENANCE**

- a)** Clean the area around the filter cover (1).  
**b)** Remove the cover (1) by unscrewing the two knobs (2 - TRE0701 - TRE0801), or by pressing the tabs (2a - TRE0702).  
**c)** Remove the filtering element (3a + 3b).  
**d)** Remove the pre-filter (3b) from the cartridge (3a).  
**e)** Tap the cartridge (3a) on a solid surface and blow it from the inside with compressed air to remove dust and debris.  
**f)** Wash the sponge pre-filter (3b) with water and detergent and leave it to dry in the air.

**IMPORTANT**

*Do not use water, petrol, detergents or any other products to clean the cartridge.*

**IMPORTANT**

*The sponge pre-filter (3b) must NEVER be oiled.*

- g)** Clean the inside of the filter housing (4) from dust and debris, making sure to block the inlet duct with a rag (5) to prevent them from entering the engine.  
**h)** Remove the rag (5), install the filtering element (3b + 3a) in its housing and refit the cover (1).

**6.6 SPARK PLUG SERVICE**

- a)** Remove the spark plug (1) using a spark plug socket wrench (2).  
**b)** Clean the electrodes (3) with a metal brush and remove any carbonaceous build-up.  
**c)** Using a thickness gauge (4), check for the right gap (0.6 - 0.8 mm) between the electrodes.  
**d)** Install the spark plug (1) and tighten with a socket wrench (2).

Replace the spark plug if the electrodes are burnt or if the porcelain is broken or damaged.



**WARNING!**

***Fire hazard! Do not check the ignition system with spark plug removed.***

**IMPORTANT**

*Use only spark plugs of the recommended type (see 8.1).*

## 7. TROUBLESHOOTING

PROBLEM	LIKELY CAUSE	SOLUTION
<b>a)</b> Hard starting	- No fuel	- Check and top up (see 5.1.3)
	- Old fuel or deposits in the fuel tank	- Empty the fuel tank and add fresh fuel
	- Incorrect starting procedure	- Perform the starting procedure correctly (see 5.2)
	- Spark plug disconnected	- Check that the spark plug cap fits well over the plug terminals (see 5.1.4)
	- The spark plug is wet or the spark plug electrodes are dirty or placed inadequately	- Check (see 6.6)
	- Air filter clogged	- Check and clean (see 6.5)
	- Incorrect oil for the season	- Replace with proper oil (see 6.3)
	- Fuel evaporation in the carburetor (vapor lock) due to high temperatures	- Wait for a few minutes then start again (see 5.3)
	- Fault in carburation	- Contact a Licensed Service Centre
	- Hard starting	- Contact a Licensed Service Centre
<b>b)</b> Inconsistent working	- Dirty electrodes or incorrect gap	- Check (see 6.6)
	- The spark plug cap is inserted incorrectly	- Check that the cap is fitted correctly (see 5.1.4)
	- Air filter clogged	- Check and clean (see 6.5)
	- Throttle trigger in «CHOKE» position	- Move the lever to the «FAST» position
	- Fault in carburation	- Contact a Licensed Service Centre
	- Fault in ignition	- Contact a Licensed Service Centre
<b>c)</b> Loss of power whilst operating	- Air filter clogged	- Check and clean (see 6.5)
	- Fault in carburation	- Contact a Licensed Service Centre

## 8. TECHNICAL SPECIFICATIONS

### 8.1 REFILLING AND OPERATION MATERIALS

Fuel .....	Unleaded gasoline, minimum 90 octane
Engine oil: from 5 to 35 °C .....	SAE 30
from -15 to +35 °C .....	10W-30
Oil capacity .....	1.2 liter
Spark plug .....	QC12YC / RC12YC (Champion) or equivalent
Spark plug gap .....	0.6 - 0.8 mm
CO <sub>2</sub> .....	773,41 g/kWh

This CO<sub>2</sub> measurement results from testing over a fixed test cycle under laboratory conditions a(n) (parent) engine representative of the engine type (engine family) and shall not imply or express any guarantee of the performance of a particular engine.

**IT** • Il contenuto e le immagini del presente manuale d'uso sono stati realizzati per conto di ST. S.p.A. e sono tutelati da diritto d'autore – È vietata ogni riproduzione o alterazione anche parziale non autorizzata del documento.

**BG** • Съдържанието и изображенията в настоящото ръководство са извършени за ST. S.p.A. и са защитени с авторски права – Забранява се всяко неотторизирано възпроизвеждане или промяна, дори и отчасти на документа.

**BS** • Sadržaj i slike iz ovog korisničkog priručnika napravljeni su isključivo za ST. S.p.A. i zaštićeni su autorskim pravima – zabranjena je svaka neovlaštena reprodukcija ili izmjena dokumenta, djelomično ili u potpunosti.

**CS** • Obsah a obrázky v tomto návodu k použití byly zpracovány jménem společnosti ST. S.p.A. a jsou chráněny autorským právem – Reprodukce či nepovolené pozměňování tohoto dokumentu, a to i částečné, je zakázáno.

**DA** • Indhold og illustrationer i denne vejledning er blevet skabt på vegne af ST. S.p.A. og er beskyttet af ophavsret – Enhver gengivelse eller ændring, også delvis, af dokumentet uden autorisation hertil er forbudt.

**DE** • Inhalt und Bilder dieser Bedienungsanleitung wurden im Namen von ST. S.p.A. erstellt und sind urheberrechtlich geschützt – Jede nicht genehmigte Vervielfältigung oder Veränderung, auch auszugsweise, dieses Dokuments ist verboten.

**EL** • Το περιεχόμενο και οι εικόνες στο παρόν εγχειρίδιο χρήσης δημιουργήθηκαν για λογαριασμό της εταιρείας ST. S.p.A. και προστατεύονται από πνευματικά δικαιώματα – Απαγορεύεται οποιαδήποτε αναπαραγωγή ή τροποποίηση, έστω και μερική, του εγχειρίδιου χωρίς έγκριση.

**EN** • The content and images in this User Manual were produced expressly for ST. S.p.A. and are protected by copyright – any unauthorised reproduction or modification to the document, either partially or in full, is prohibited.

**ES** • El contenido y las imágenes del presente manual de uso han sido creados por ST. S.p.A. y están protegidos por los derechos de autor – Se prohíbe toda reproducción o modificación, incluso parcial, no autorizada del documento.

**ET** • Käesoleva kasutusjuhendi sisu ja kujutised on toodetud konkreetselt ettevõttele ST. S.p.A. ja neile rakendub autoriõigusseseadus – dokumendi igasugune osaline või täielik ilma loata reprodutseerimine või muutmine on keelatud.

**FI** • Tämän käyttöoppaan sisältö ja kuvat on valmistettu ST. S.p.A. -yhtiön toimesta ja niitä suojava tekijänoikeuslaki. – Asiakirjan kaikenlainen kopioiminen tai muuttaminen, osittainkin, on kielletty ilman erityistä lupaa.

**FR** • Le contenu et les images du présent manuel d'utilisation ont été réalisés pour le compte de ST. S.p.A. et sont protégés par un droit d'auteur – Toute reproduction ou modification non autorisée, même partielle, du document, est interdite.

**HR** • Sadržaj i slike u ovom priručniku za uporabu izrađeni su za tvrtku ST. S.p.A. te su obuhvaćeni autorskim pravima – Zabranjuje se neovlašteno umnožavanje ili prilagodba, djelomična ili u cijelosti, ovog dokumenta.

**HU** • Ennek a használati útmutatónak a tartalma és a benne szereplő képek kizárólag a ST. S.p.A. számára készültek és szerzői joggal védettek – tilos a dokumentum bármely részének vagy egészének engedély nélküli sokszorosítása és módosítása.

**LT** • Šio naudotojų vadovo turinys ir paveikslėliai skirti tik „ST. S.p.A.“ ir yra saugomi autorių teisėmis – dokumentą atgaminti ar modifikuoti, visiškai arba iš dalies, yra draudžiami.

**LV** • Šīs lietotāja rokasgrāmatas saturs un attēli ir veidoti tikai ST. S.p.A. un ir aizsargāti ar autortiesībām. Jebkāda dokumenta vai tā daļas prettiesiska kopēšana vai pārveide ir stingri aizliegta.

**MK** • Содржината и сликите во Упатството за корисникот се подготвени исклучиво за ST. S.p.A. и се заштитени со авторски права – забрането е секое делумно или целосно неовластено репродуцирање или измена на документот.

**NL** • De inhoud en de afbeeldingen van deze gebruikshandleiding werden gerealiseerd voor rekening van ST. S.p.A. en zijn beschermd door het auteursrecht – Elke niet-geautoriseerde reproductie of wijziging, ook gedeeltelijke, van het document is verboden.

**NO** • Innholdet og bildene i denne brukerveiledningen er utført på oppdrag fra ST. S.p.A. og er beskyttet ved opphavsrett – Enhver gjengivelse eller endring, selv kun delvis, er forbudt.

**PL** • Treść oraz ilustracje zawarte w niniejszej instrukcji obsługi powstały na zlecenie spółki ST. S.p.A. i są chronione prawami autorskimi – Zabrania się wszelkiego kopiowania bądź modyfikowania, także częściowego, niniejszego dokumentu bez uzyskania stosownej zgody.

**PT** • As imagens e os conteúdos contidos no presente Manual do Utilizador foram expressamente criados para uso exclusivo da ST. S.p.A., encontrando-se protegidos por direitos de autor. Qualquer tipo de reprodução ou alteração, parcial ou integral, não autorizadas deste Manual estão expressamente proibidas.

**RO** • Conținutul și imaginile din manualul de utilizare de față au fost realizate în numele ST. S.p.A. și sunt protejate de drepturi de autor – Este interzisă orice reproducere sau modificare chiar și parțială neautorizată a documentului.

**RU** • Тесты и изображения, содержащиеся в настоящем руководстве, были созданы в интересах ST. S.p.A. и защищены авторскими правами – Любое несанкционированное воспроизведение или изменение документа запрещено.

**SK** • Obsah a obrázky v tomto návode na používanie boli spracované menom spoločnosti ST. S.p.A. a sú chránené autorským právom – Reprodukcie či nepovolené pozměňovanie tohto dokumentu, a to aj čiastočné, je zakázané.

**SL** • Vsebine in slike v tem uporabniškem priručniku so izdelane za podjetje ST. S.p.A. in so zaščitene z avtorskimi pravicami – vsakršno nepooblaščenno razmnoževanje ali spreminjanje dokumenta, v celoti ali delno, je prepovedano.

**SR** • Sadržaj i slike ovog priručnika za upotrebu su napravljeni u ime ST. S.p.A. i zaštićeni su autorskim pravima – Zabranjena je svaka potpuna ili delimična reprodukcija ili izmena dokumenta bez odobrenja.

**SV** • Innehållet och bilderna i denna användarhandbok har framställts för ST. S.p.A. och skyddas av upphovsrätt – all form av reproduktion eller ändring, även partiell, som inte auktoriserats är förbjuden.

**TR** • Bu Kullanıcı Kilavuzundaki içerik ve resimler açığa ST. S.p.A. için üretilmiştir ve telif hakkı ile korunmaktadır – dokümanın izinsiz olarak tamamen ya da kısmen herhangi bir şekilde çoğaltılması ya da dağıtılması yasaktır.



.....

---

Type: .....

---

Art.N ..... CE  
.....-s/n .....